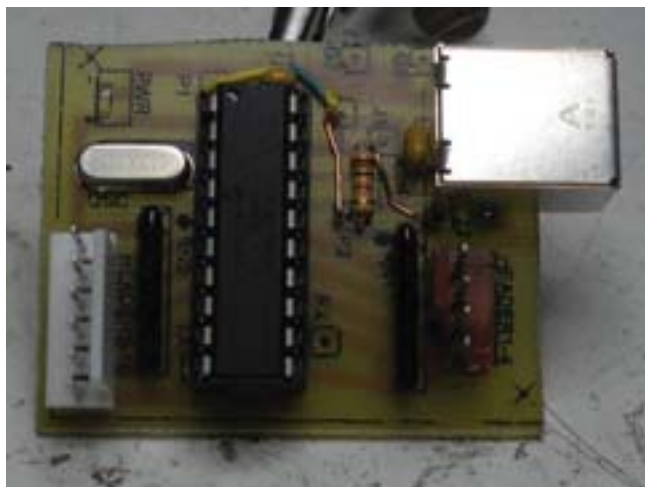


QuickKey USB Adapter v.1

Description:

A USB connected Human Interface Device Keyboard that has 10 button inputs which are mapped to key combinations in the firmware. Key combinations can be quickly accessed without using the keyboard which may be inconvenient to use. Such as with a MAME or similar machine where the keyboard may be stored or certain keys may be used frequently but aren't mapped to any of the arcade buttons.



Features:

- 10 Input Channels(buttons)
- All Pulled High
- Bring Button Input to Ground to “press”
- USB Connected, Type B Receptacle
- No Drivers Required, Plug-and-Play
- USB Powered

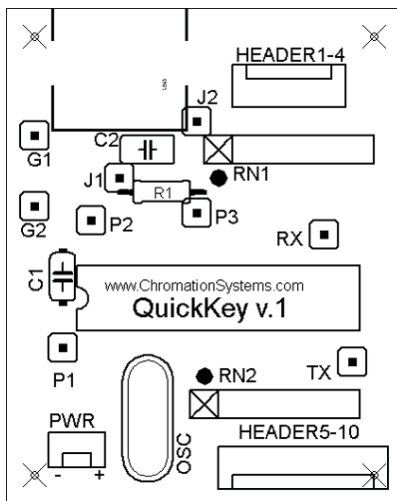
Specification:

Input Voltage	USB Powered
Input Current	>100 ma
Input	10 inputs, pulled high
Connectors	0.1” Pitch
Dimension	1.4” x 1.75”

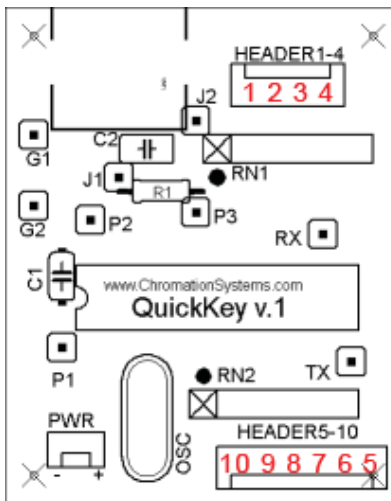
For More Information and building instructions visit the website at www.Chromationsystems.com/quickkey.html or E-Mail to Support@Chromationsystems.com

QuickKey USB Adapter v.1

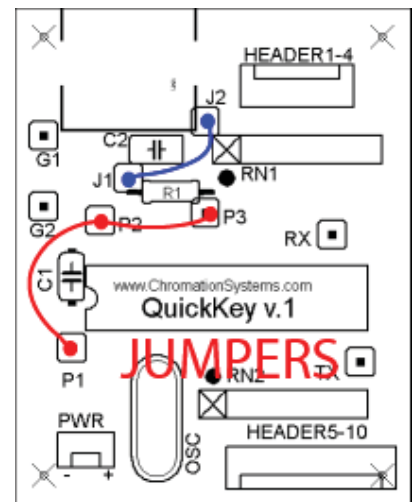
Parts Layout:
Fig. 1



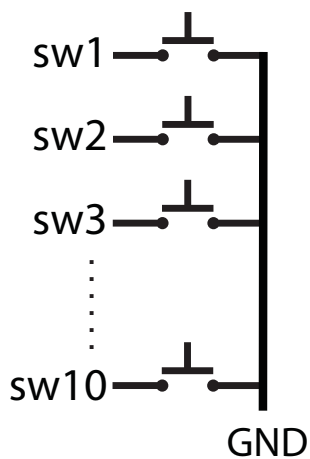
Button Headers:
Fig. 2



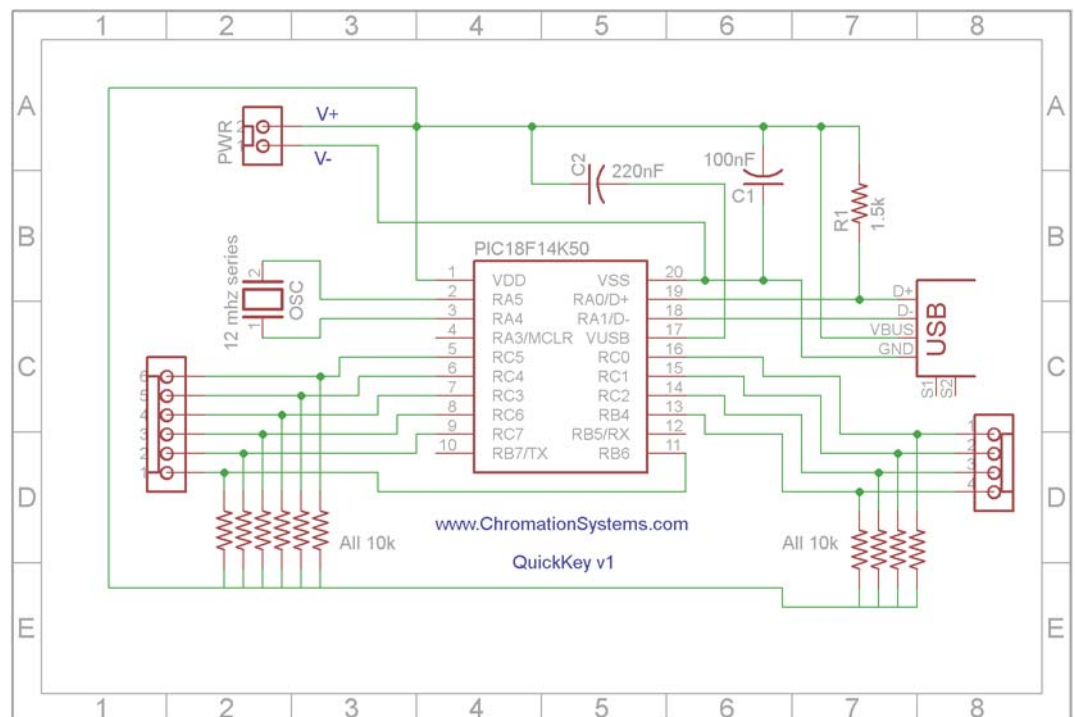
Jumpers:
Fig. 3



Button Connections:
Fig. 4



Schematic:
Fig. 5



QuickKey USB Adapter v.1

PIC18F14K50

R1 1.5k ohm

C1 01.uF

C2 220nF

RN1 5x 10kohm bussed

RN2 5x 10kohm bussed

Header1-4 0.1" pitch, polarized

Header5-10 0.1" pitch, polarized

USB Board Mount Type B

PWR Unused/Empty

OSC 12mhz Series Crystal

- J1 is jumped to J2
- P1, P2, P3 are all jumped together
- G1 and G2 are connected to button GND
- RX and TX are not used, but are connected to the USART.

Button Codes: Pressing the buttons will signal the firmware to send a key or keys to the Computer. All 10 of the keys are set to send different key combinations, which the computer uses to run commands or actions. The key codes that are programmed in the supplied firmware are meant to be used with a Windows computer, and won't work on other OS's but the firmware can be modified with ones that would.

sw1 - Opens Task Manager - Alt + Ctrl + Del

sw2 - Close Open Program - Alt+F4

sw3 - Minimize All Windows(show desktop) - Windows Key + D

sw4 - Maximize Window - Alt + Spacebar -> X

sw5 - Minimize Window - Alt + Spacebar -> N

sw6 - Escape - Escape Key, exits most games

sw7 - Toggle Full Screen - Alt + Enter

sw8 - Open Program(Emulator Launcher Program) - Alt + Ctrl + Shift + L*

sw9 - Coin1 - Ctrl + 1

sw10 - Coin2 - Ctrl + 2

*set a windows Hotkey to a desktop shortcut or use AutoHotkey to write a script.